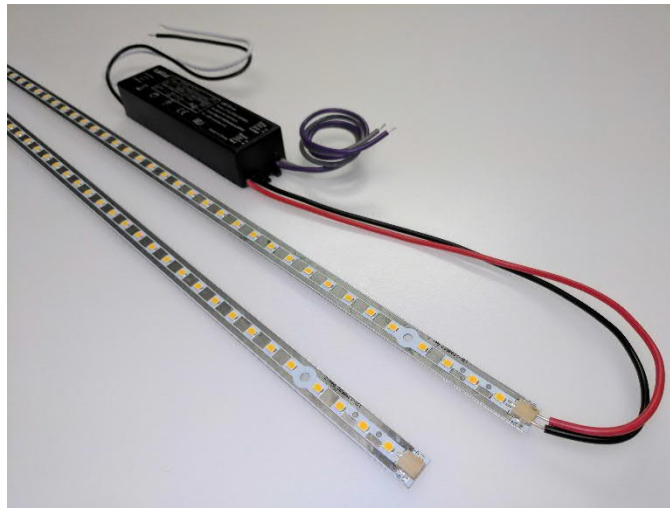


# THE HIGH PERFORMANCE

*Fluorescent Tube Replacement Series for Office, School, and General Locations*

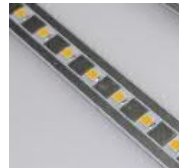


## KEY FEATURES INCLUDE:



### Multiple Color Options

Ensure that the new lighting will match your current aesthetics, and allows for custom color options.



### Long Lasting LED Chips

L<sub>90</sub> in excess of 100kHrs



### 10 Year Warranty

10 Year Warranty on all LED and external drivers.



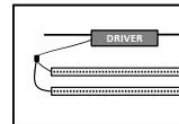
### High Color Rendering

Colors are enhanced due to the use of LEDs selected directly on the black body curve.



### Manufactured in America

With domestic and imported components. Factory: Southeastern PA. Higher quality control, faster delivery times, and new domestic job creation.



### Independent Class II Driver

Safety, improved thermal management, and extended lifetime are gained by locating the driver remote from the LEDs.



LED Lighting | Forged in America™

# LED STRIP KIT

**LENGTH OPTIONS:**

2' & 4' – standard

**OUTPUT WATTAGE** (See table below)

**COLOR OPTIONS:**

3500K and 4000K, standard<sup>5</sup>

CRI – 85

DIMMING – standard

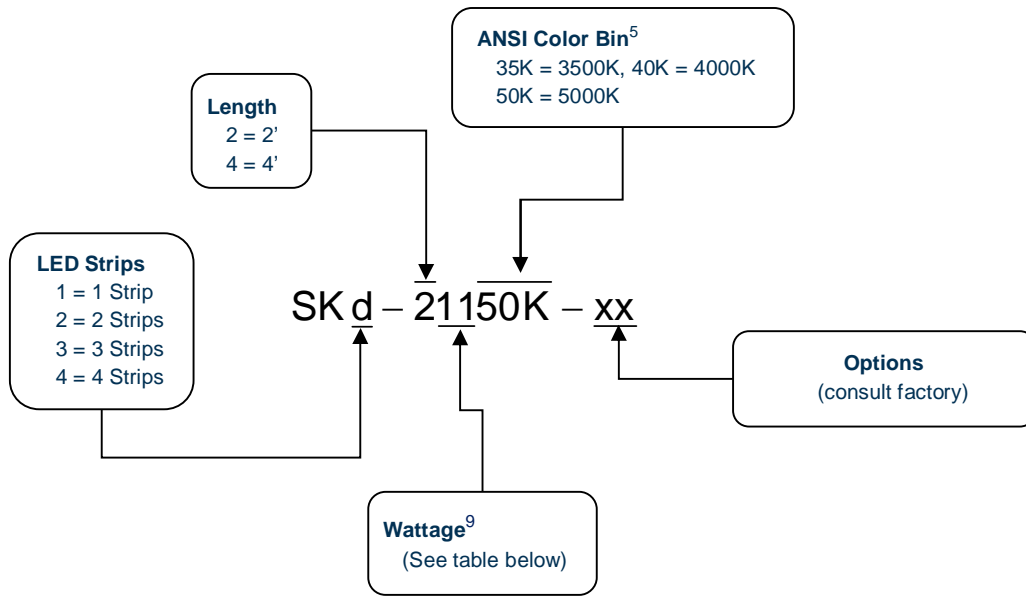
Specification Table	
Environmental	Suitable for Damp Locations up to IP21 per EN60529
Ambient Operation	-25°F to 104°F/(-31°C to 40°C)
Wattage	See table below <sup>9</sup>
Input Voltage (nominal)	100-277VAC 50/60Hz .5-.A
Power Factor (PF)	>0.9
Total Harmonic Distortion (ATHD)	<20%
Life Time	
Rated Life- LEDs per TM-21 -	>100khrs Projected L70(6k) > 900kHrs <sup>14</sup> Projected L90(6k) > 250kHrs <sup>14</sup> Reported L70(6k) > 36kHrs
LED Driver Lifetime -	>100kHr
LM80 Data	NVLap Accreditation
LED Type	SMD 2835
Efficiency (some models)	>150lm/W (See table below) <sup>11</sup>
Certifications	cULus, FCC
Warranty <sup>15</sup>	LED Driver - 10yr LED - 10yr
Dimming	<20%-100% 0-10V
Off State Power Consumption	0 Watts
On State	Instantaneous

Package Information	
Standard Package	Case
Quantity	1
Sales Units	1 to 5
Package Items	10 Strips, Drivers, installation kit
Weight lbs(kg)	TBD



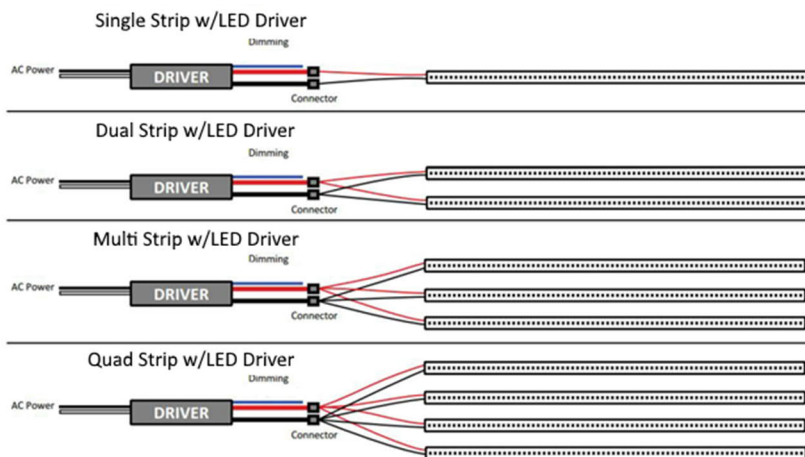
Philadelphia Headquarters: 487 Devon Park Drive, Suite 204, Wayne, PA 19087

[www.independenceLED.com](http://www.independenceLED.com) (484) 588-5401



Length (ft)	Strip Wattage <sup>9</sup> (W)	Lumens <sup>9</sup> @50K (-12%/to 27K)			
		Strips			
		1	2	3	4
2	08	1200	2400	3600	5000
	11	1650	3300	4950	7000
4	11	1650	3300	4800	
	16	2350	4700	7050	
	23	3350	7000		

## Circuit



## Notes

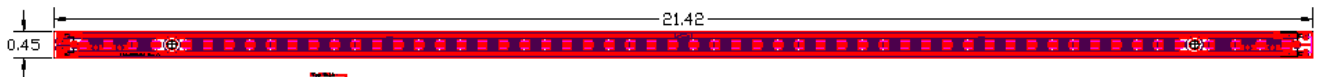
1. Not all model combinations are available
2. MBTF per MIL-HDBK-217F
3. Extended lead times and minimums maybe required for some models
4. N/A
5. Other ANSI Color bins available
6. Operation to -40°F/-40°C is available
7. N/A
8. Extended warranties are available
9. Varies depending on color temperature and LED driver
10. N/A
11. Specifications and availability subject to change without notice
12. EPAAct -179d tax incentive ready product given dimming bi-level switching requirements
13. N/A.
14. Worst case temperature for SK2-416 @25°C ambient, insitu.
15. Consult website for further details.

## Compliance Standards

UL 1993 - Self-Ballasted Lamps and Lamp Adapters, Ed. 4: 2012  
 UL 1598 - Luminaires  
 UL 1598C - Light-Emitting Diode (LED) Retrofit Luminaire Conversion Kits  
 UL 8750 - Standard for Light Emitting Diode (LED) Equipment for Use in Lighting Products, Ed. 1: 2009  
 CSA C22.2 No. 250.13 - Light emitting diode (LED) equipment for lighting applications, Ed. 1222012  
 EN 55015:2006 - Limits and methods of measurement of radio disturbance characteristics of electrical lighting and similar equipment  
 EN 61000-3-2:2006 - Electromagnetic compatibility (EMC). Limits. Limits for harmonic current emissions  
 EN 61000-3-3:2008 - Electromagnetic compatibility (EMC). Limits. Limitation of voltage changes, voltage fluctuations and flicker in public low-voltage supply systems  
 EN 61547:2009 - Equipment for general lighting purposes. EMC immunity requirements  
 FCC Part 15, Subpart B, Class B -  
 ANS/NEMA/ANSL G C78.377-2008 - American National Standard for Specifications for the Chromaticity of Solid State Lighting (SSL) Products  
 IEC 60529-2004 - Degrees of Protection Provided by Enclosures (IP Code)

## Mechanical

2'



4'

