

LED UTILITY WRAP FIXTURE SERIES

THE HIGH PERFORMANCE

*LED Fixture Series for
New Construction and
Offices.*

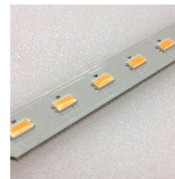


KEY FEATURES INCLUDE:



Multiple Color Options

Ensure that the new lighting will match your current aesthetics, and allows for custom color options.



Long Lasting LED Chips

L₉₀ in excess of 100kHrs



10 Year Warranty

Industry Leading 10 Year Warranty on all LEDs and external drivers.



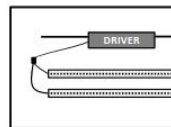
High Color Rendering

Colors are enhanced due to the use of LEDs selected directly on the black body curve



Manufactured in America

With domestic and imported components. Factory: Southeastern PA. Higher quality control, faster delivery times, and new domestic job creation.



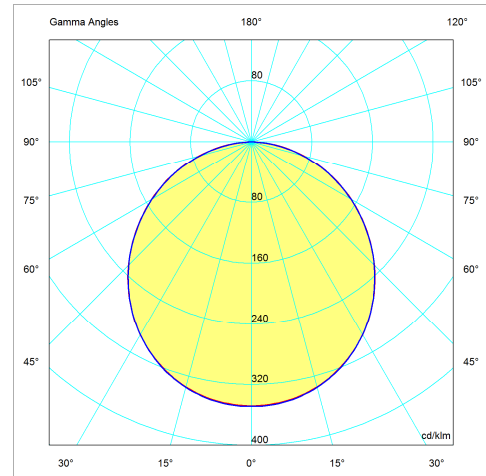
Independent Class II Driver

Safety, improved thermal management, and extended lifetime are gained by locating the driver remote from the LED Engine.



LED UTILITY WRAP FIXTURE SERIES

LENGTH OPTIONS: '2 and 4'
 OUTPUT WATTAGE (See table below)
 COLOR OPTIONS:
 2700K, 3000K, 3500K, 4000K, 5000K standard⁵
 CRI – 85
 DIMMING - standard

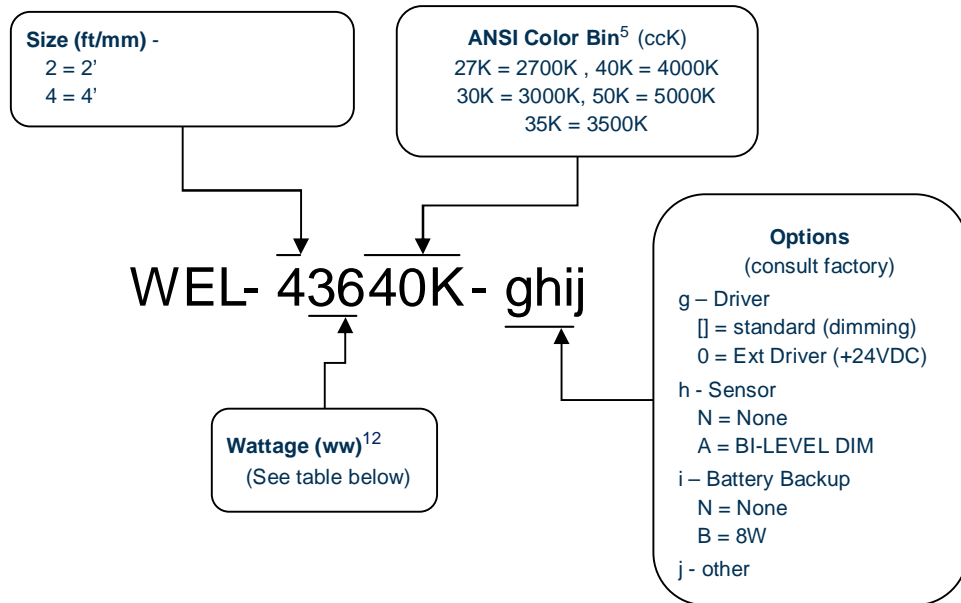


Specification Table	
Environmental Operation/Storage	-4°F to +140°F/(-20°C to +60°C)
Wattage	See chart below ¹² (±10%)
Input Voltage (nominal)	100-277VAC 50/60Hz .8-.3A ⁹ +24VDC [External]
Power Factor (PF)	>0.9
Total Harmonic Distortion (ATHD)	<20%
Life Time	>100kHrs
Rated Life LED Engine per TM-21	Calculated L ₇₀ (10k) = 398kHrs ¹⁶ Calculated L ₉₀ (10k) = 102kHrs Reported L ₇₀ (10k) >60kHrs
LED Driver	Lifetime - MBTF ² - >100kHrs 120VAC, Full load, 25°C >320khrs 120VAC, 80% load, 25°C
LM80 Data	NVLap Accreditation
LED Type	SMD 3030
Efficiency	>125lm/W ¹² (See table below)
Lens Material	Acrylic ¹⁵
Energy Consumption [nominal]	16 kWh/1000 h
Certifications	cUL, UL, FCC
Warranty ¹⁷	LED Driver - 10 years LED Strip - 10 years Fixture - 10 years
Dimming	<20%-100% (See table below) 0-10V
Off State Power Consumption	0 Watts
On State	Instantaneous

Package Information	
Standard Package	Case
Quantity	1 Unit
Sales Units	1 Unit
Package Items	1 Unit Complete
Weight lbs(kg)	Others consult factory
	2' 6 (3)
	4' 11 (5)



LED UTILITY WRAP FIXTURE SERIES



	Lumens ¹² @5000K (-12%/ to 2700K)			
Model	2'		4'	
AC	20W	28W	36W	42W
	2550	3550	4700	5400
DC* (max)	24W		48W	
	3550		6800	

*For use with – 0 option (EXT +24VDC)



Notes

1. Not all model combinations are available
2. MBTF per MIL-HDBK-217F
3. Extended lead times and minimums maybe required for some models
4. N/A
5. Other ANSI Color bins available
6. N/A
7. N/A
8. Extended warranties are available
9. Non-UL applications (Some Models)
10. N/A
11. Specifications and availability subject to change without notice
12. Varies depending on color temperature, CRI, LED driver and lens ($\pm 10\%$)
13. N/A
14. EPC Act -179d tax incentive ready product given dimming bi-level switching requirements
15. Certain chemicals that may exist in end-user locations release airborne contaminants that can impact the integrity and safety of key fixture components that contain acrylic or polycarbonate material.
16. Worst case temperature for ELP-457 @25°C ambient.
17. Consult website for further details.

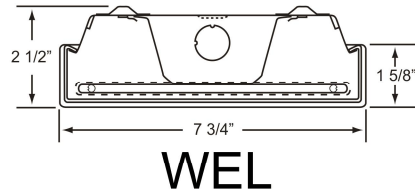
Compliance Standards

- UL 1993 - Self-Ballasted Lamps and Lamp Adapters, Ed. 4: 2012
- UL 1598 - Luminaires
- UL 1598C - Light-Emitting Diode (LED) Retrofit Luminaire Conversion Kits
- UL 8750 - Standard for Light Emitting Diode (LED) Equipment for Use in Lighting Products, Ed. 1: 2009
- CSA C22.2 No. 250.13 - Light emitting diode (LED) equipment for lighting applications, Ed. 1222012
- EN 55015:2006 - Limits and methods of measurement of radio disturbance characteristics of electrical lighting and similar equipment
- EN 61000-3-2:2006 - Electromagnetic compatibility (EMC). Limits. Limits for harmonic current emissions
- EN 61000-3-3:2008 - Electromagnetic compatibility (EMC). Limits. Limitation of voltage changes, voltage fluctuations and flicker in public low-voltage supply systems
- EN 61547:2009 - Equipment for general lighting purposes. EMC immunity requirements
- FCC Part 15, Subpart B, Class B -
- ANSI/ANSI G C78.81-2010 - Electric Lamps-Double-Capped Fluorescent Lamps-Dimensional and Electrical Characteristics
- ANSI/NEMA/ANSI G C78.377-2008 - American National Standard for Specifications for the Chromaticity of Solid State Lighting (SSL) Products
- IEC 60529-2004 - Degrees of Protection Provided by Enclosures (IP Code)



Mechanical

cross sections



back knockout plans and lengths

